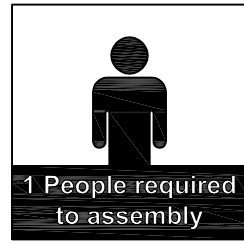
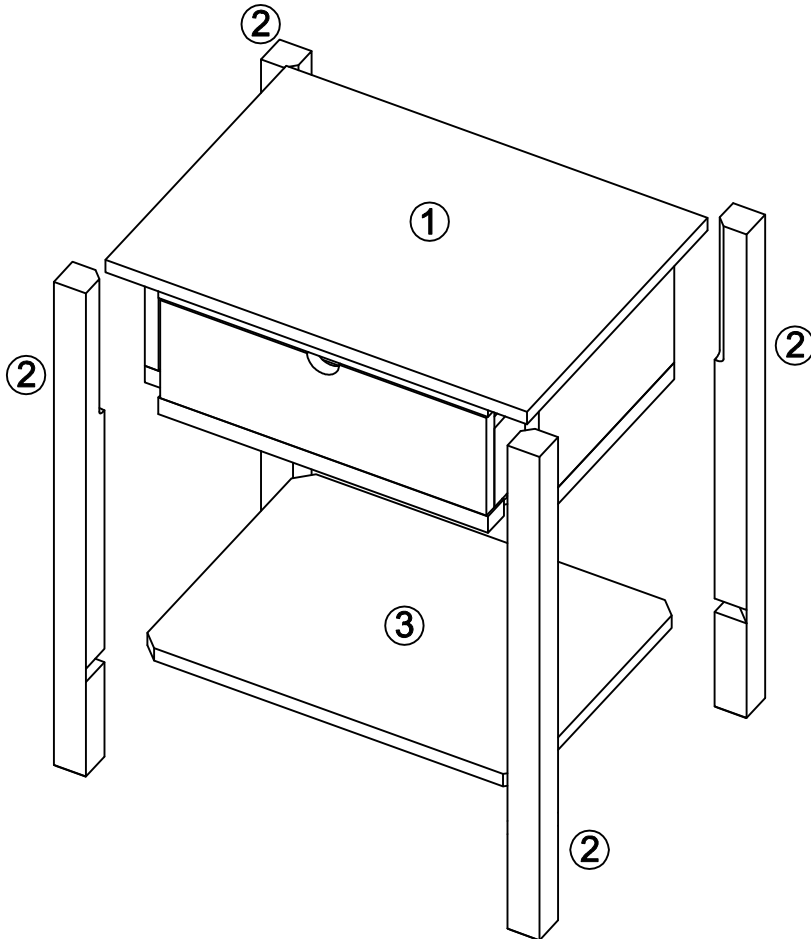


ASSEMBLY INSTRUCTIONS



Please read instructions carefully. Remove all wrapping material, staples and packing straps from the carton. See Parts List and Hardware List for guidance. Be sure you have all parts before you start assembling. Place all wooden furniture parts on a clean and flat soft surface, such as carpet or rug to prevent from being scratched.

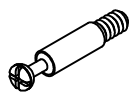


PARTS LIST

1. TOP FRAME	: 1pc
2. LEGS	: 4pcs
3. SHELF	: 1pc

HARDWARE LIST

A. BOLT	: 8pcs
B. WASHER	: 8pcs
C. SPRING WASHER	: 8pcs
D. CAM PILLAR	: 4pcs
E. CAM	: 4pcs
F. ALLEN KEY	: 1pc
G. SCREW	: 1pc
H. RAWL PLUG	: 1pc



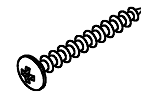
(D)



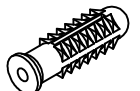
(E)



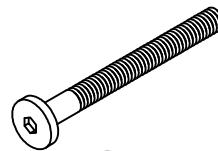
(F)



(G)



(H)



(A)



(B)



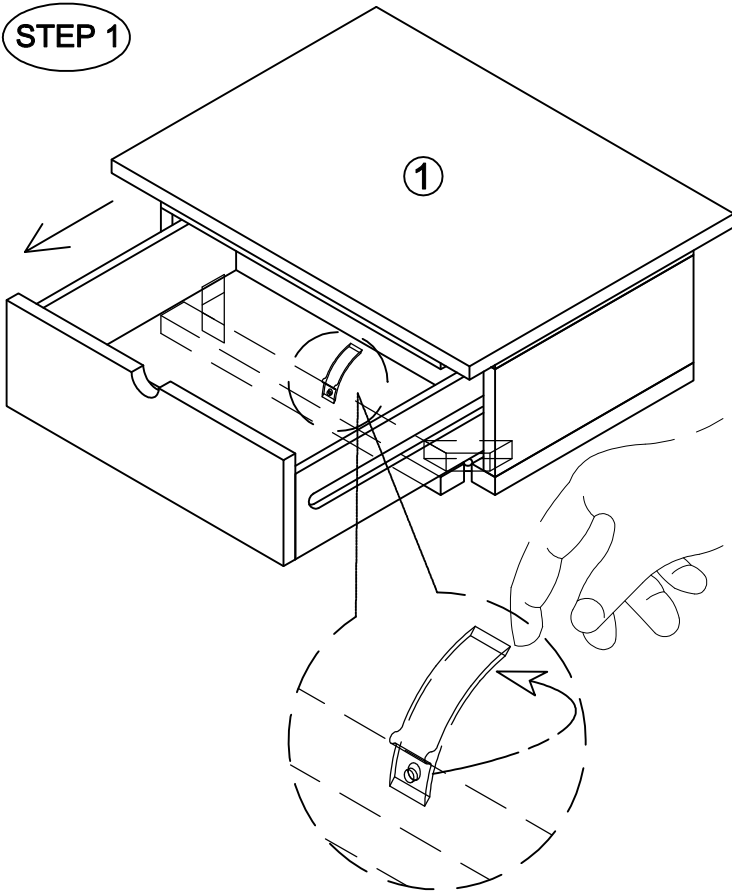
(C)

FOR ASSEMBLY

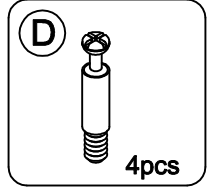
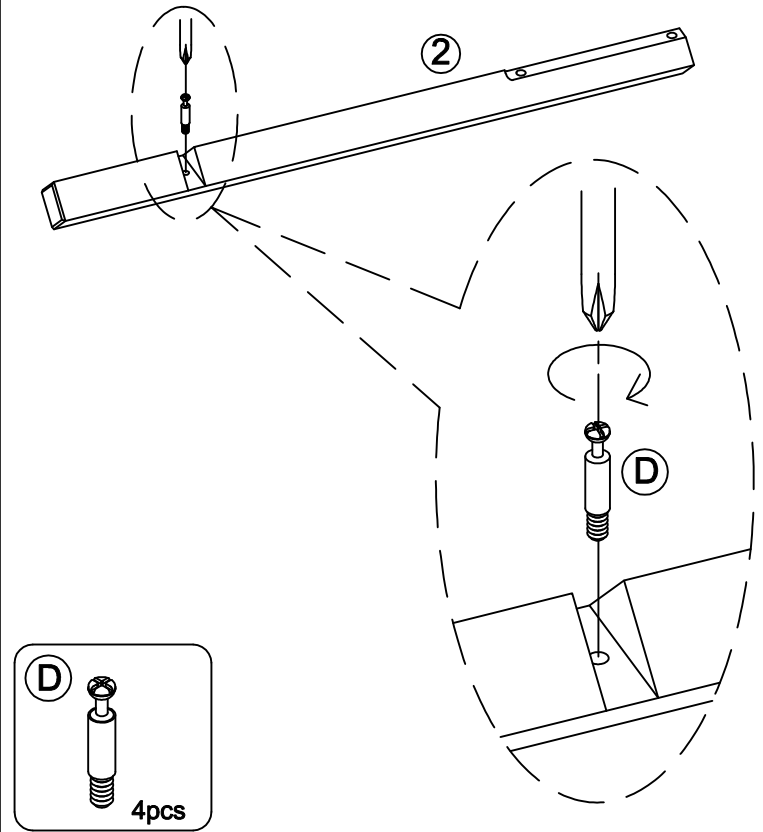
- First, check the content to make sure that nothing is missing.
 - Sort out the parts and fittings as shown.
 - Assemble the product step by step.
 - It is preferable to rest the product on a soft surface to avoid damage during assembly.
 - Do not overtighten screws and fittings.
 - Re-tighten all screws and fittings periodically.
- You will need a phillips screwdriver to complete this assembly.

ASSEMBLY INSTRUCTIONS

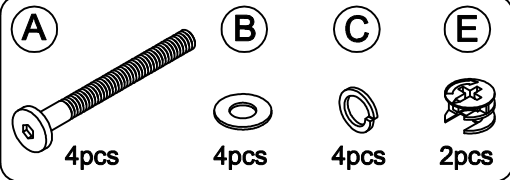
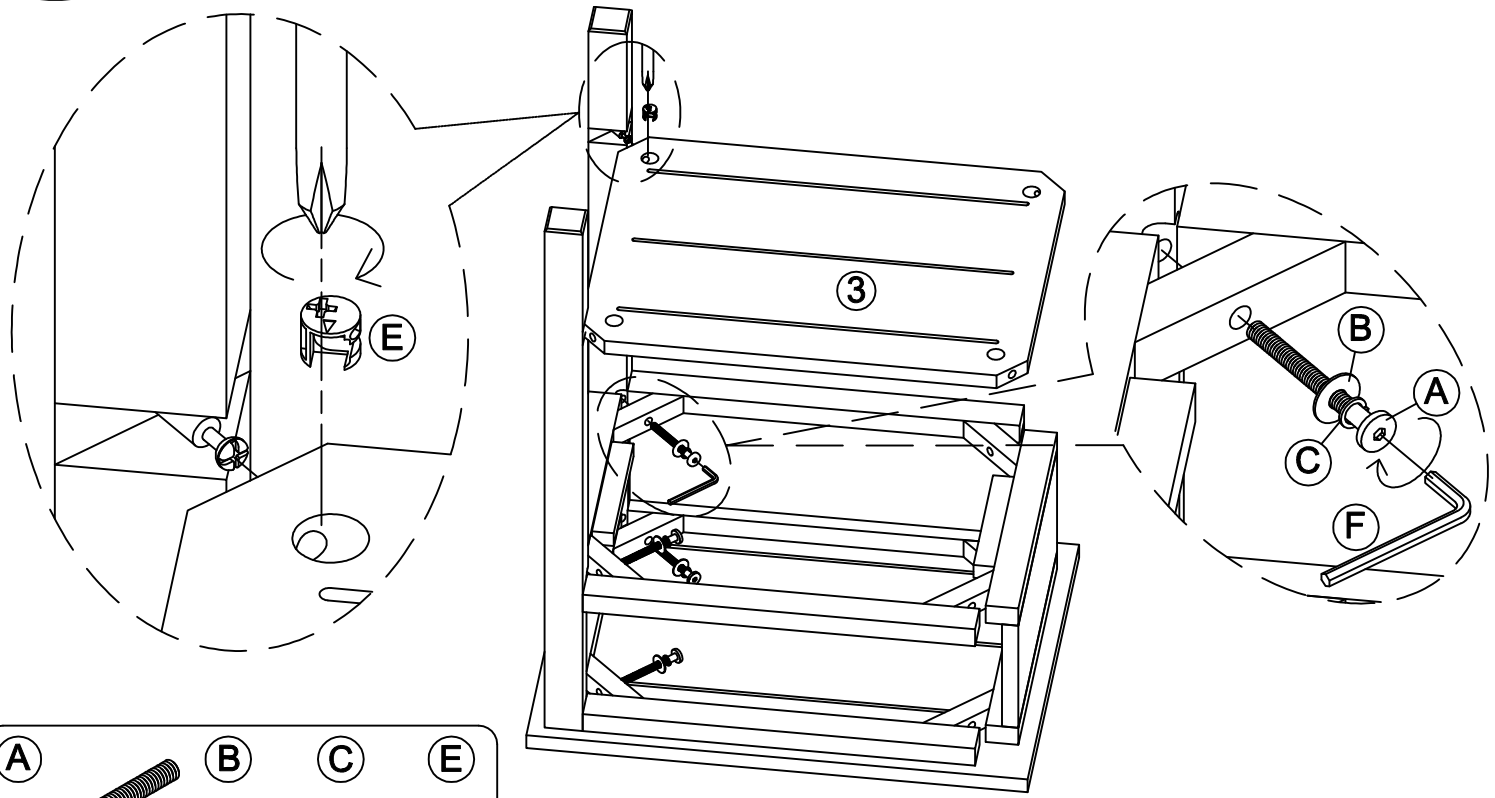
STEP 1



STEP 2

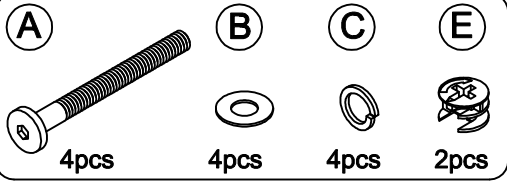
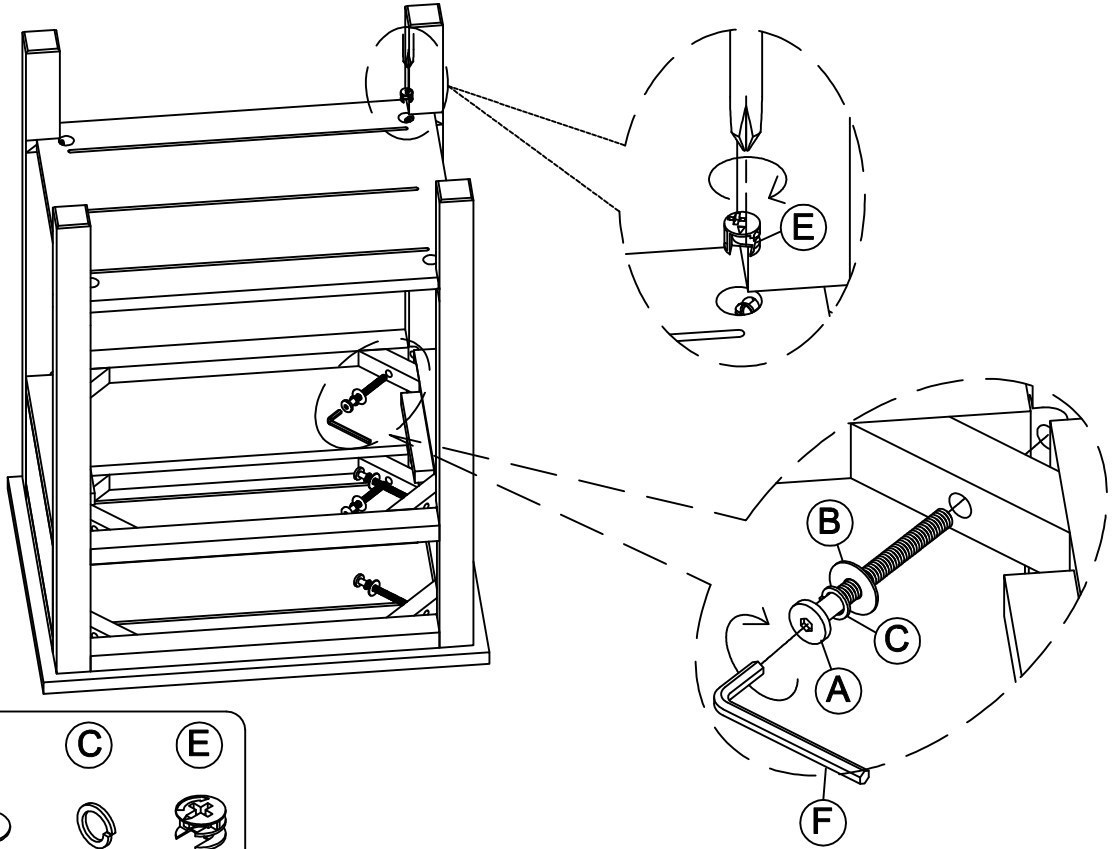


STEP 3

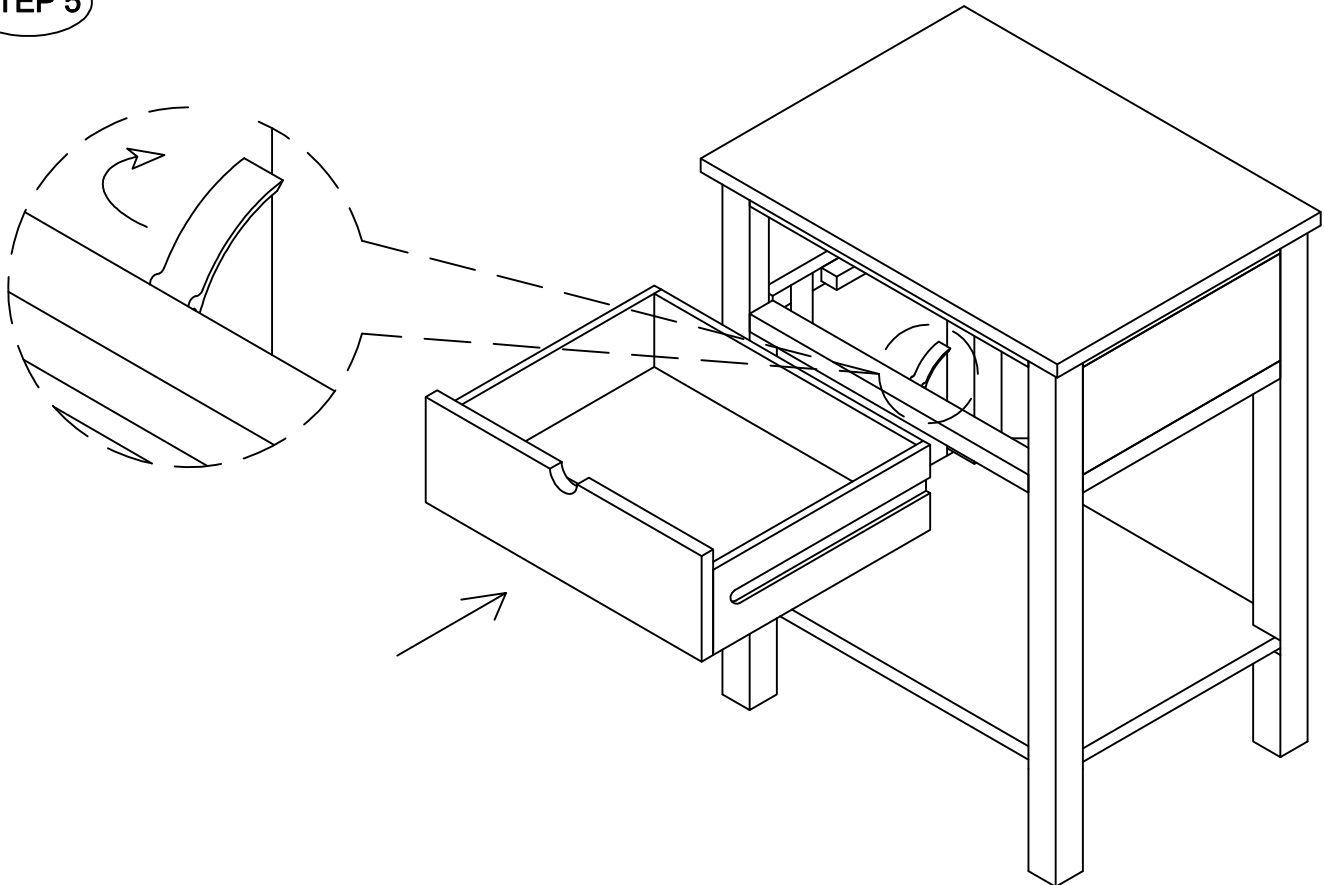


ASSEMBLY INSTRUCTIONS

STEP 4



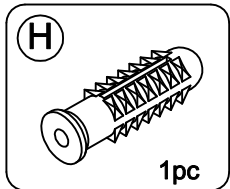
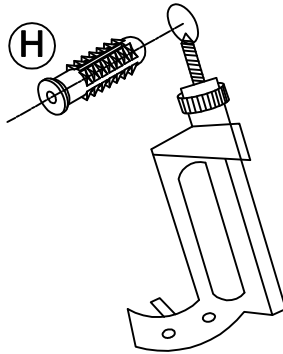
STEP 5



ASSEMBLY INSTRUCTIONS

STEP 6

Drill a hole in the wall and insert the rawl plug.



STEP 7

Insert screw through strap into hole in wall

