

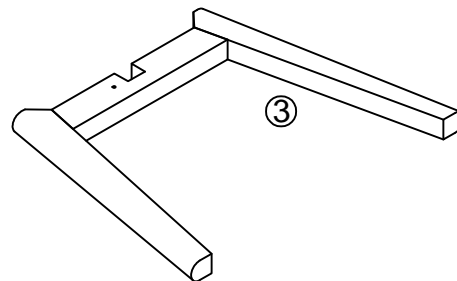
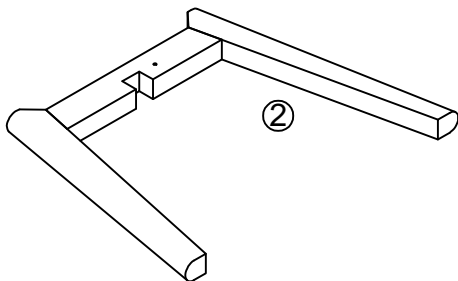
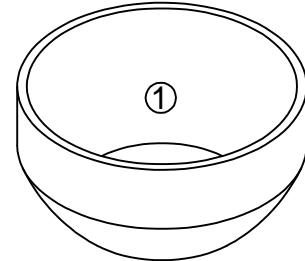
ASSEMBLY INSTRUCTIONS



Please read instructions carefully. Remove all wrapping material, staples and packing straps from the carton. See Hardware and Furniture Parts List for guidance. Be sure you have all parts before you start assembling. Place all wooden furniture parts on a clean and flat soft surface, such as carpet or a rug to prevent from being scratched.

PARTS INCLUDED

- | | |
|----------------|-------|
| 1. Pot | : 1pc |
| 2. Leg Frame 1 | : 1pc |
| 3. Leg Frame 2 | : 1pc |

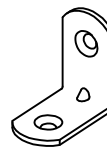


HARDWARE LIST

- | | |
|------------|--------|
| A. Screw | : 4pcs |
| B. Bracket | : 2pcs |



(A)



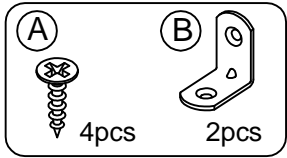
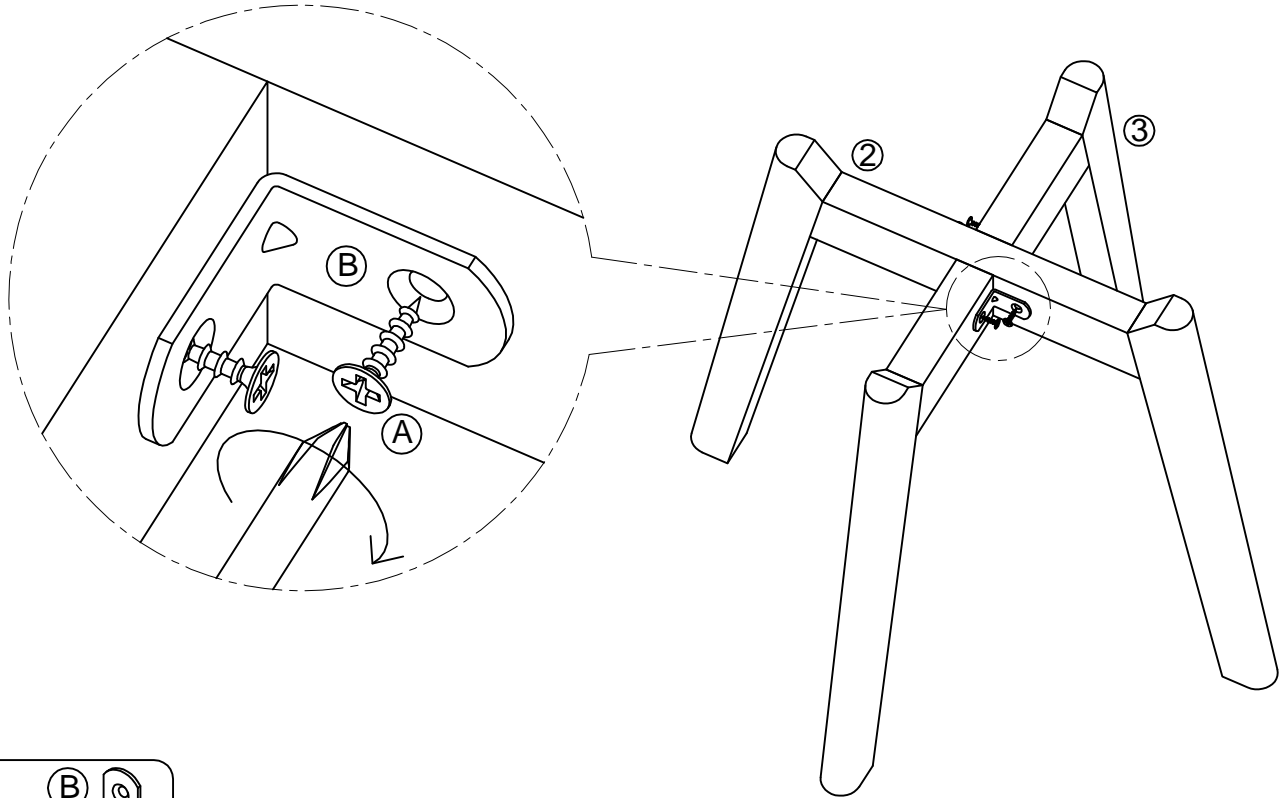
(B)

FOR ASSEMBLY

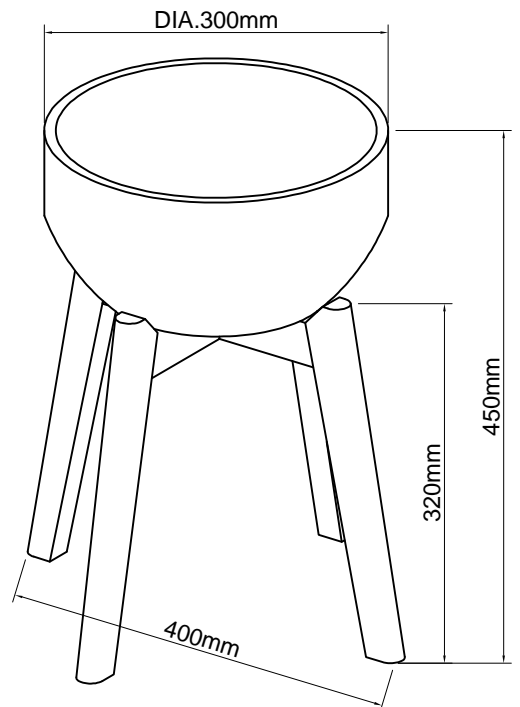
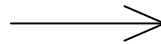
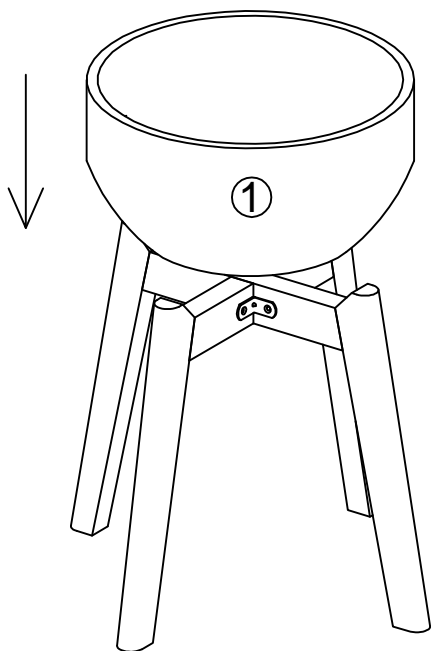
- First, check the contents to make sure that nothing is missing.
- Sort out the parts and fittings as shown. Assemble product step by step.
- It is preferable to rest the product on a soft surface to avoid damage during assembly.
- Do not overtighten screws and fittings.
- Re-tighten all screws and fittings periodically.

ASSEMBLY INSTRUCTIONS

STEP 1



STEP 2



MAX.LOADING 35kg (77 lbs)